

Product Specification



Fan Type	AC Backward Curved Centrifugal Fan
Model	BL-B250A-2E-C01-01

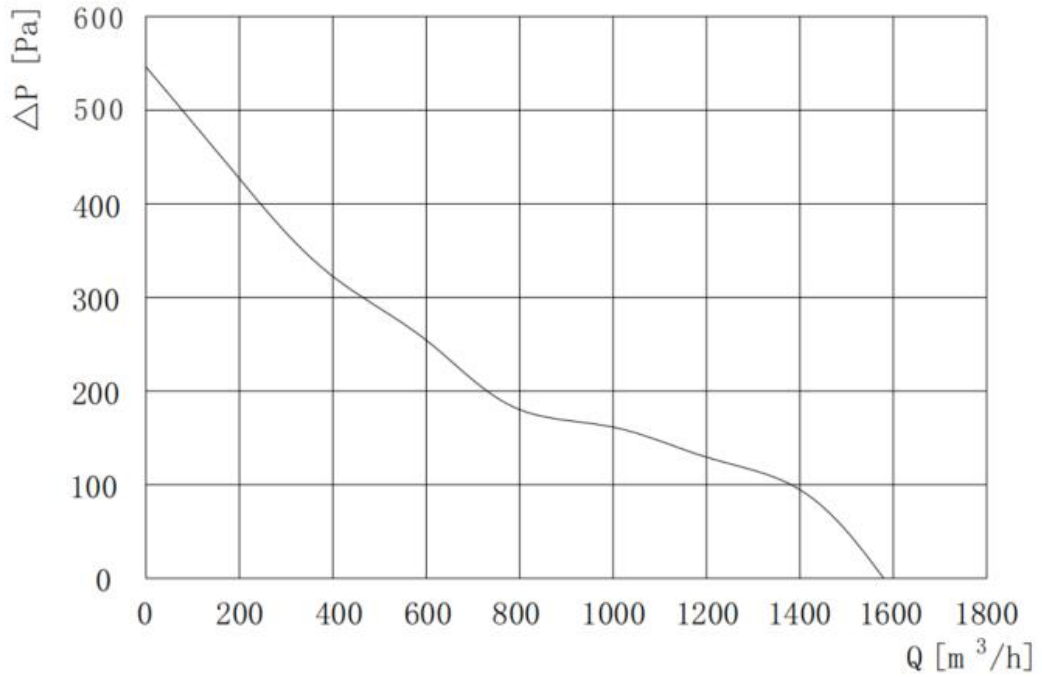
Basic Parameters

Rated Voltage	VAC	230
Capacitance	~	3.0 μ F
Frequency	Hz	50
Rated Speed	RPM	2600
Max. Input Power	W	130
Max. Input Current	A	0.6
Sound level	dBA	70
Certification	~	CE, RoHS
Min. Ambient Temperature	$^{\circ}$ C	-25
Max. Ambient Temperature	$^{\circ}$ C	60

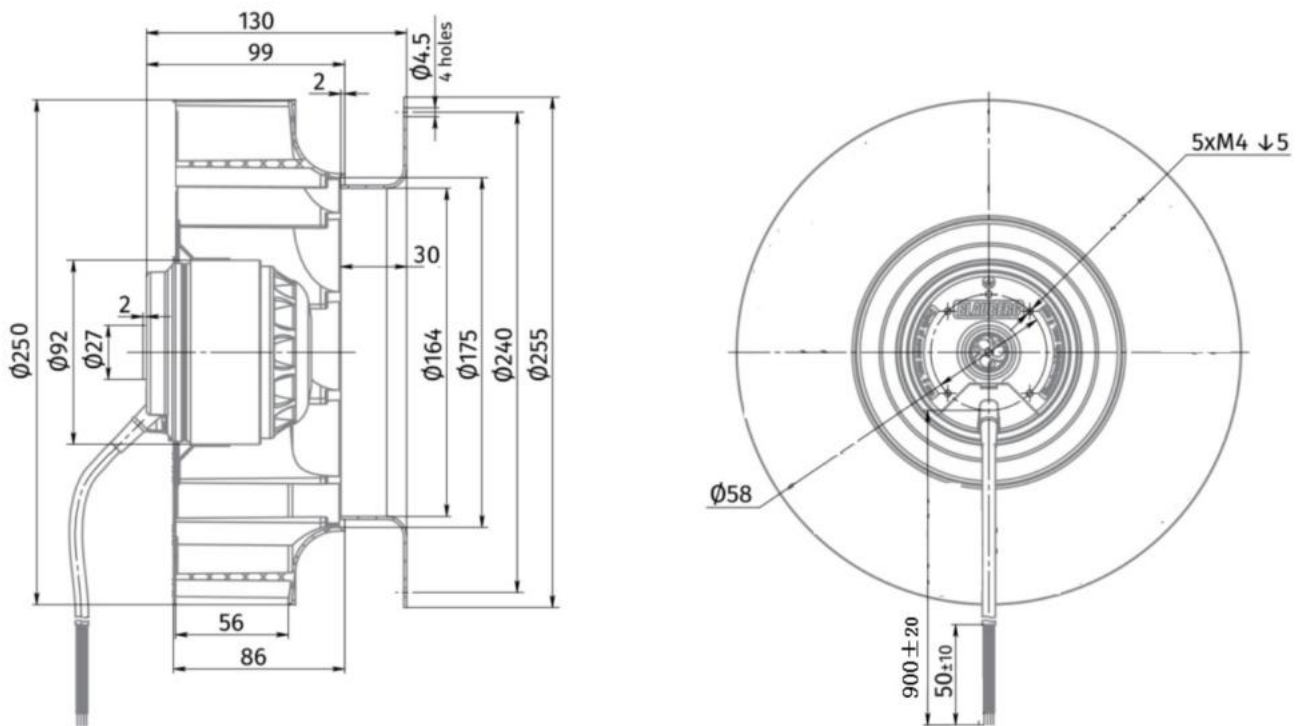
Technical Features

Dimensions	250*250*99 mm
Material of Impeller	Plastic
Direction of Rotation	Clockwise, Seen on Rotor
Surface of Rotor	Plastic Spraying
Type of Protection	IP44
Insulation Class	B
Operation Mode	S1
Bearing Type	Ball Bearing
Length of Cable	450 \pm 20mm
RoHS	All Material According with RoHS
Min./Max. Humidity	5% - 90% RH
Motor Type	External Rotor AC Motor
Deviation of Impeller in Axial Direction	\leq 0.5 mm
Deviation of Impeller in Radial Direction	\leq 0.5 mm

Air Performance



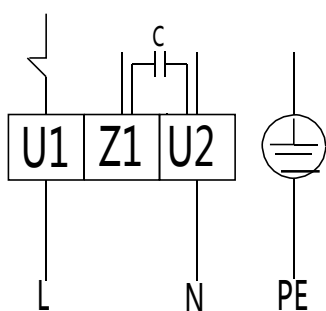
Outline Drawing



Wiring Diagram

Line	Connection	Color	Function
Power Line	PE	Green Yellow	Protective Earth
	U1	L	Live Wire
	Z1		Capacitive connection Wire
	U2	N	Neutral & Capacitive connection Wire

Power Line



U1 Blue
 U2 Black
 Z1 Brown
 PE Green Yellow

Additional Notes

1. The power line and control line of the fan should be connected in strict accordance with the wiring diagram to prevent the fan from burning out;
2. If the fan does not work after starting, please check the input voltage of the speed regulation, which may be improperly connected. To prevent hand or other personal injury caused by sudden start of the fan; Do not touch the impeller or rotor after electrifying;
3. It takes a few seconds for the fan to start after power on. In order to prevent personal injury, do not touch the impeller or rotor under the condition of power electrifying or low speed operating;
4. Persons lacking physical, mental or sensory abilities and appropriate practical experience or expertise cannot use the fan unless directed by a person responsible for its safety. Keep out of reach of children;
5. If the power line is damaged, the manufacturer must replace the power cord;
6. As a part of the fan, the motor cannot be used alone without impeller or load;
7. After the product packaging has been disassembled, it should be repackaged if it needs to be kept in storage. The product shall be stored in a clean, well-ventilated warehouse with ambient temperature of $-40^{\circ}\text{C}\sim+80^{\circ}\text{C}$, relative humidity of no more than 95%, no corrosive gases in the air, and 15cm above the ground;
8. Please read this technical specification carefully before use.