

## Product Specification

Fan Type	AC Duct Fan
Model	QL-P200D-2E-A01-01

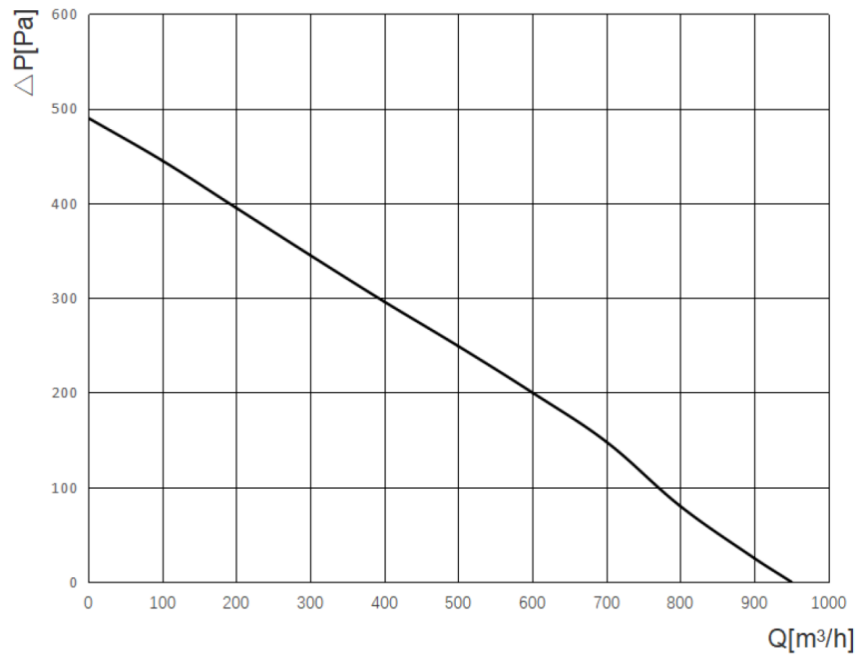
### Basic Parameters

Rated Voltage	VAC	230
Capacitance	~	5 $\mu$ F/450V
Frequency	Hz	50
Rated Speed	RPM	2540
Max. Input Power	W	176
Max. Input Current	A	0.8
Sound level	dB(A)	70
Min. Ambient Temperature	°C	-25
Max. Ambient Temperature	°C	60

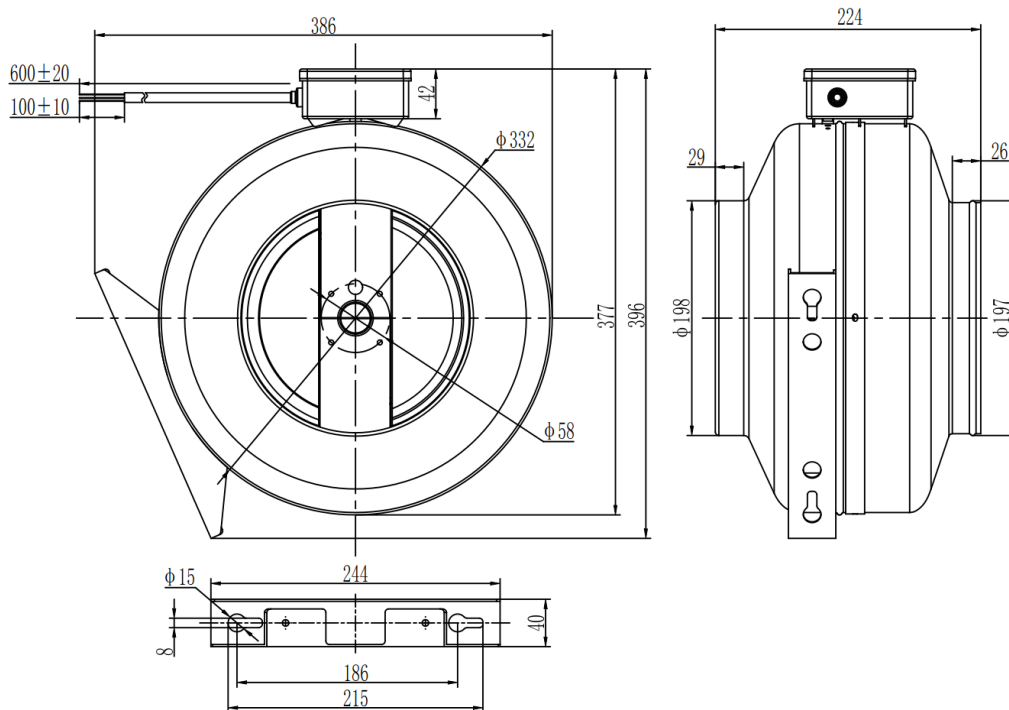
### Technical Features

Dimensions	384*396*224 mm
Material of Impeller	Metal
Direction of Rotation	Clockwise, Seen on Rotor
Surface of Rotor	Electrophoresis
Type of Protection	IP32
Insulation Class	F
Operation Mode	S1
Bearing Type	Ball Bearing
Length of Cable	600 $\pm$ 20mm
RoHS	All Material According with RoHS
Min./Max. Humidity	5% - 90% RH
Motor Type	External Rotor AC Motor
Deviation of Impeller in Axial Direction	$\leq 0.8$ mm
Deviation of Impeller in Radial Direction	$\leq 0.8$ mm

## Air Performance



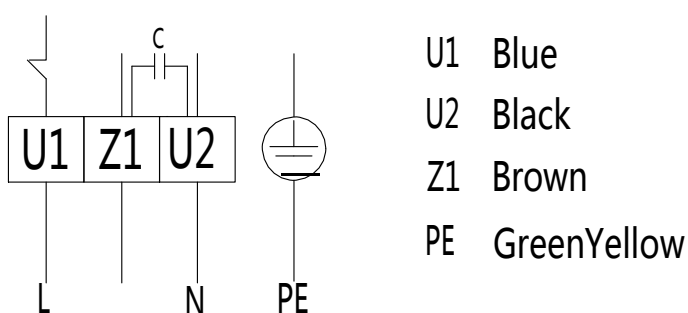
## Outline Drawing



## Wiring Diagram

Line	Connection	Color	Function
Power Line	PE	GreenYellow	Protective Earth
	U1	L	Blue
	Z1		Brown
	U2	N	Black

### Power Line



## Additional Notes

1. Persons lacking physical, mental or sensory abilities and appropriate practical experience or expertise cannot use the fan unless directed by a person responsible for its safety. Keep out of reach of children.
- 6.If the power line is damaged, the manufacturer must replace the power cord;
2. As a part of the fan, the motor cannot be used alone without impeller or load;
3. After the product packaging has been disassembled, it should be repackaged if it needs to be kept in storage. The product shall be stored in a clean, well-ventilated warehouse with ambient temperature of -40°C~+80°C, relative humidity of no more than 95%, no corrosive gases in the air, and 15cm above the ground;
4. Please read this technical specification carefully before using it.